



Semi-motorized and Fully-motorized microtomes parameter function comparison

Specification	S700 Semi-motorized microtomes	S700A Fully motorized microtomes
Type		
Section thickness setting range: 0.50 - 100 μm	✓	✓
Trimming section thickness setting range: 1 - 800 μm	✓	✓
Electric speed: 0-1800μm	✓	✓
Specimen retraction: 0-250μm adjustable	✓	✓
Horizontal stroke: 28mm	✓	✓
Vertical stroke:70mm	✓	✓
Specimen orientation: X/Y 8°	✓	✓
Maximum specimen size: 55*50*30mm	✓	✓
W x D x H: 483mm×553mm×305mm	✓	✓
Weight	37.6kg	45kg
Fully automatic semi-automatic slicing mode switching		✓
Emergency stop button		✓
Slice window		✓
Slice speed selection		✓
Multiple slice modes		✓
Pedals		✓

RWD Life Science Co.,Ltd

Add: 2nd floor, Robeta Building, No.11 High Tech North 4th Road, Nanshan District, Shenzhen City, Guangdong Province, 518057, China
Tel: (86)-755-86111286 ext 8283 Web: www.rwdstco.com E-mail: sales@rwdstco.com

RWD Life Science Inc.

Add: 6540 Lusk Blvd, Suite C161, San Diego, CA 92121
Tel: (858)900-5879 E-mail: sales@rwdstco.com



RWD



Precise slice
Convenient operation

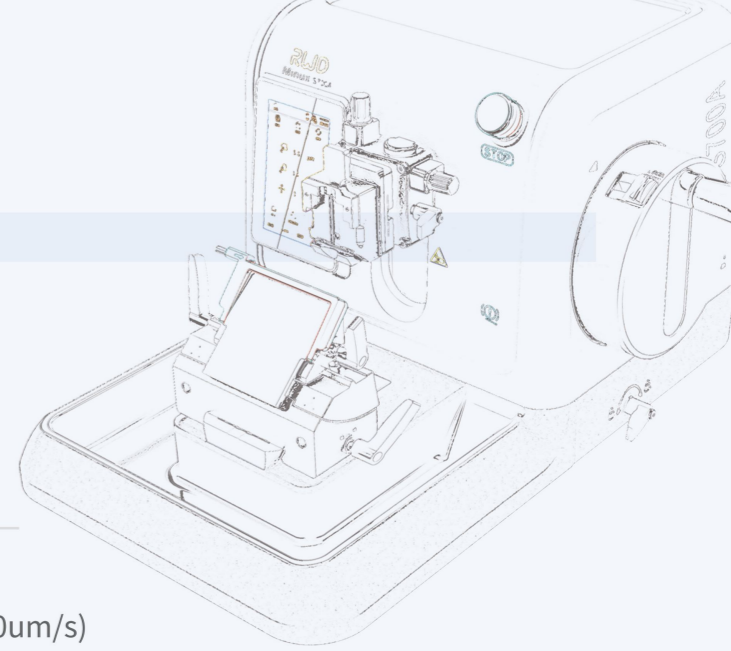
Microtomes





MICROTOMES

RWD



Precise

- Precise motor stepping system for slice quality
- Adjustable speed for better sample control (0-1800um/s)
- Patented visual pointer mark to keep samples at the same angle for accurate sample positioning

Convenient

- Friendly design with side knob
- 5-inch capacitive touch screen for easy operation
- Stylish and simple operation interface, easy to learn and understand

Safety

- Protective knife and retraction device to protect operator safety
- The remaining injection alarm promptly reminds the slice process to ensure smooth slice
- Double-locking system with handwheel for locking at any position and enhancing the protection of the operator

Intelligence

- Half knife repair function, simplifying the operation process
- Sample position memory function for one-button reset to improve slice efficiency
- Historical record system, which can query device usage and facilitate information tracking

